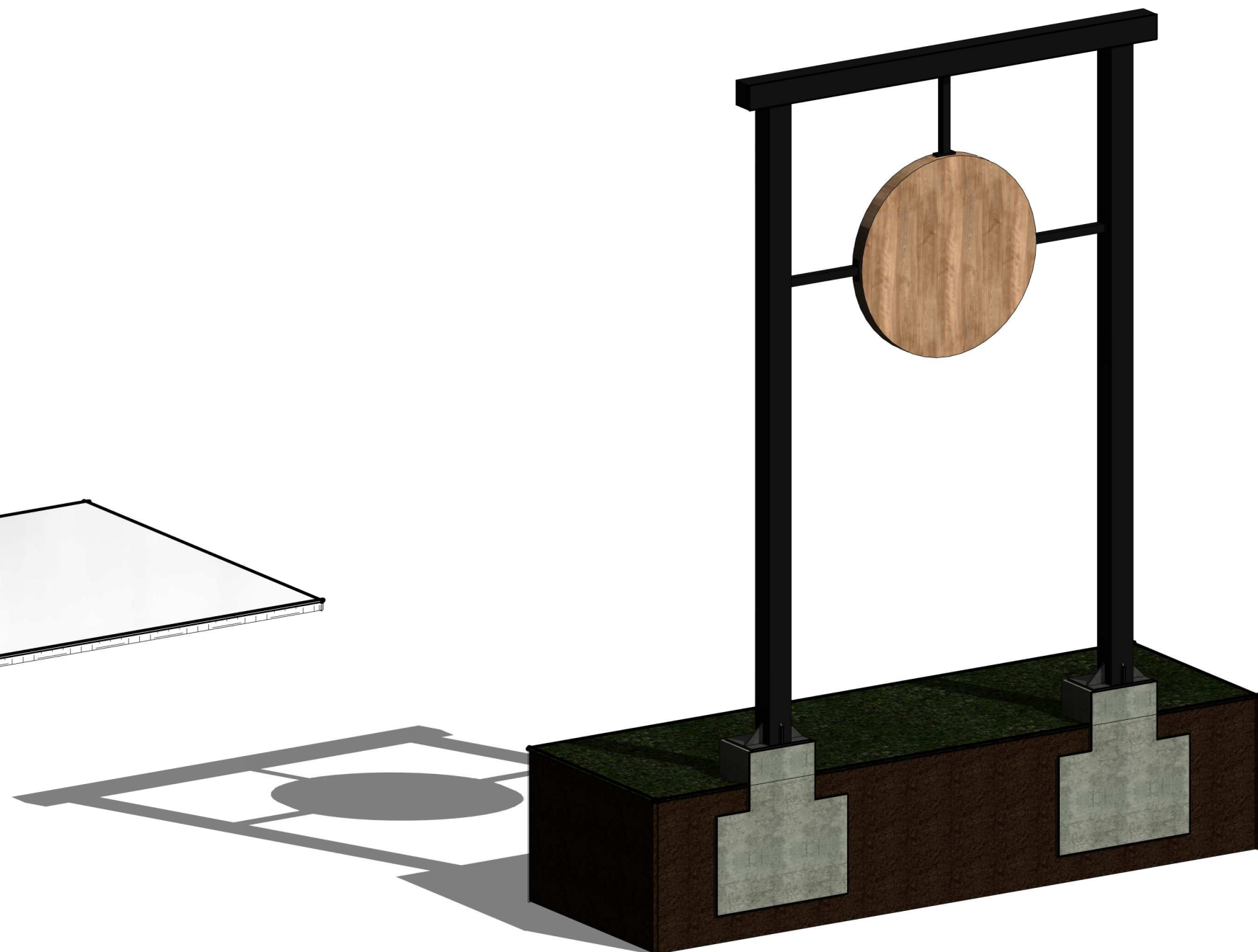
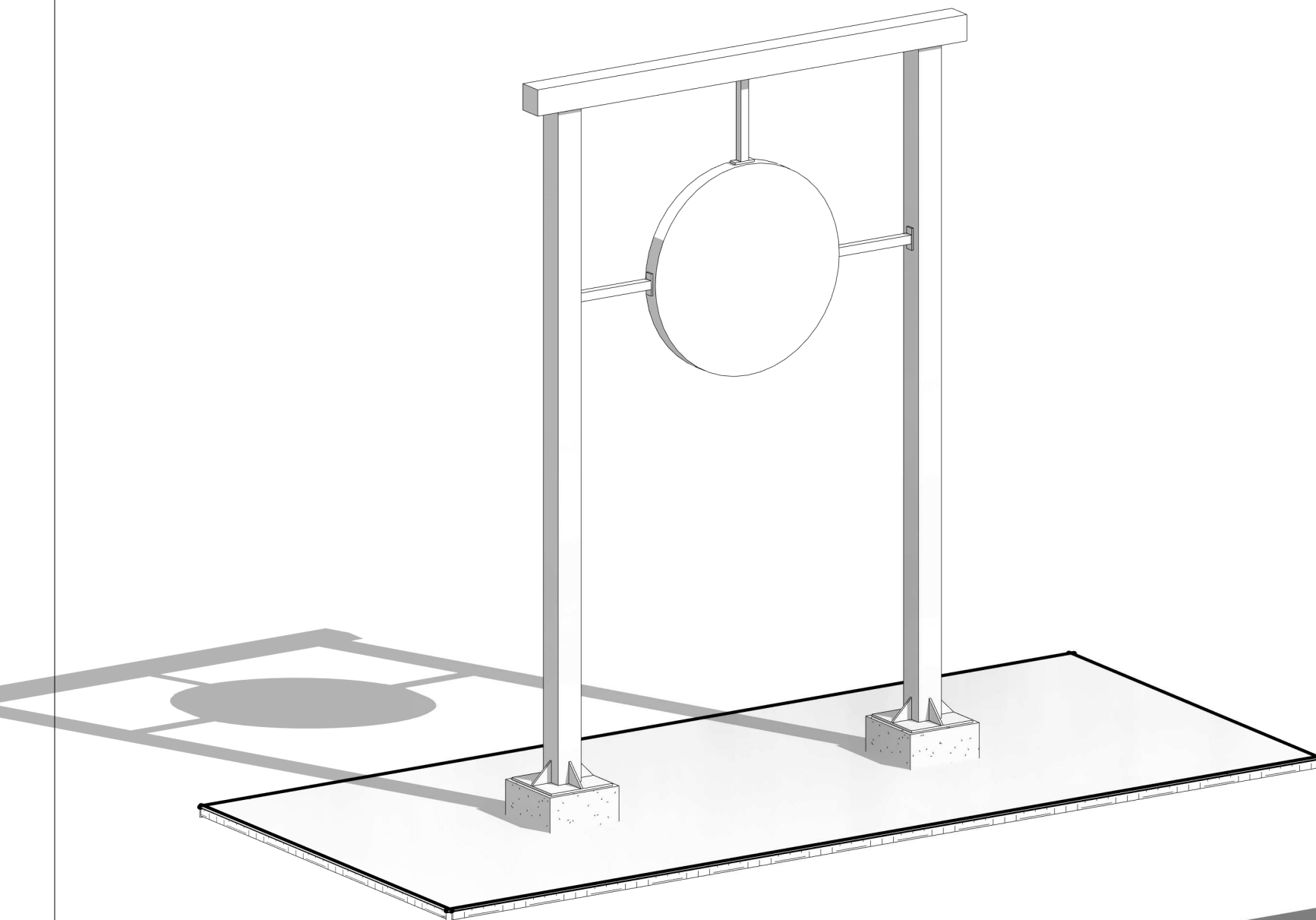


125th ANNIVERSARY LEGACY PROJECT

PIONEER PARK



CHEAM BUILDING DESIGN

Bus: 604-798-8900
 Email: cheambd@telus.net
 6777 Walker Road, Agassiz, BC V0M 1A4

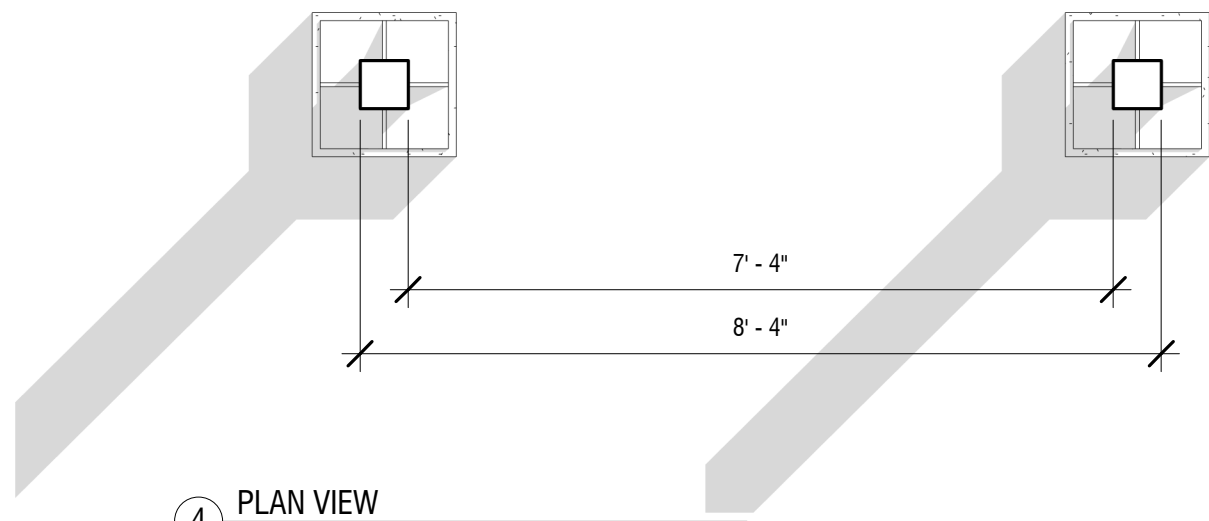
Designed By: RV
 Drawn By: DV
 Checked By: RV

Scale:
 Date: April 2, 2020

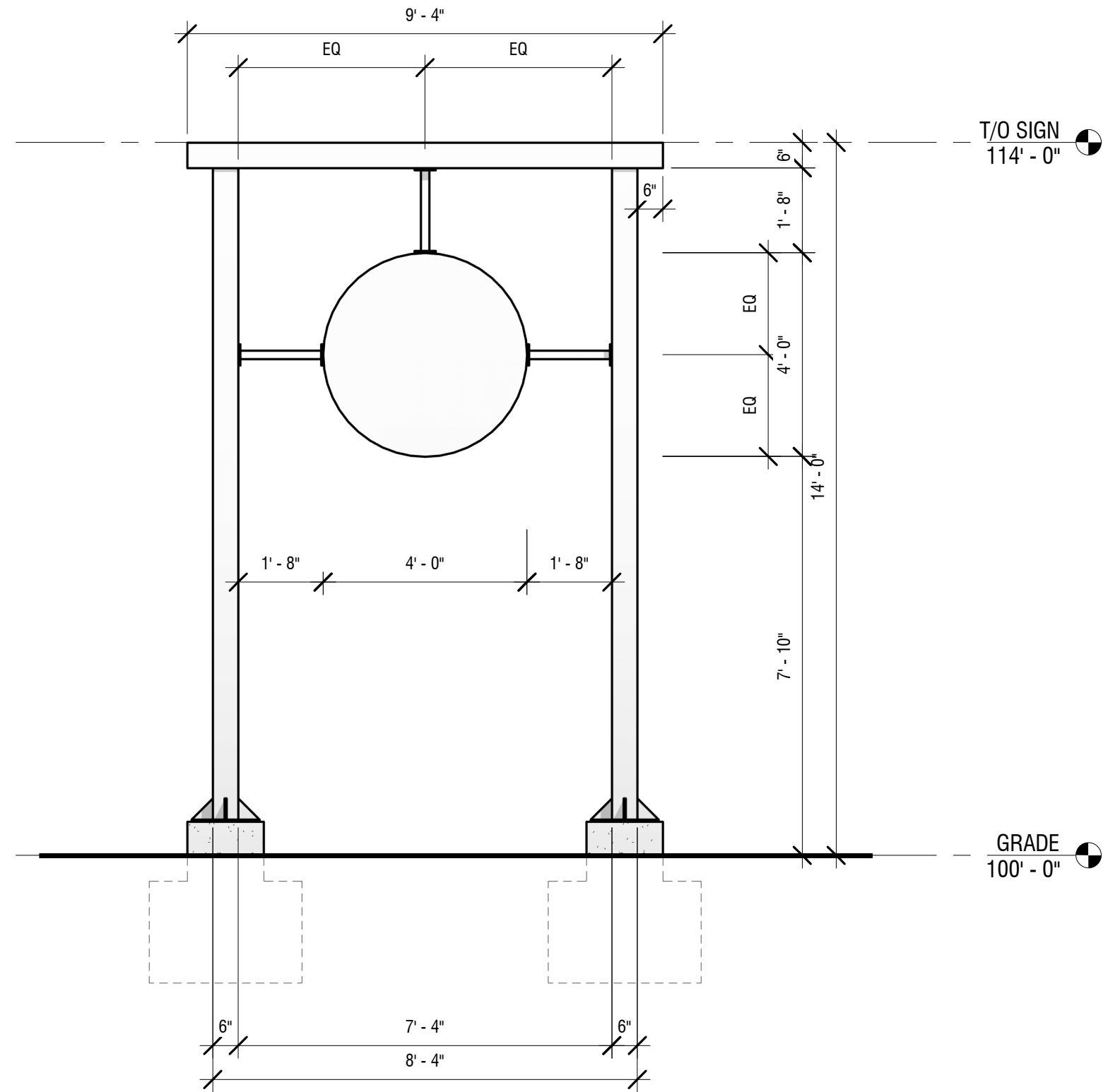
REV.	DESCRIPTION	DATE
1	Concept Design	March 4, 2020
2	Concept Design	April 2, 2020

3D
 Agassiz
 125th Anniversary Legacy Project
 Pioneer Park, Agassiz BC

1.0



4 PLAN VIEW
1/2" = 1'-0"



T/O SIGN
114' - 0"

GRADE
100' - 0"

3 FRONT ELEVATION
3/8" = 1'-0"

CHEAM BUILDING DESIGN

Bus: 604-798-8900
Email: cheambd@telus.net
6777 Walker Road, Agassiz, BC V0M 1A4

Designed By: RV
Drawn By: DV
Checked By: RV
Scale: As indicated
Date: April 2, 2020

REV.	DESCRIPTION	DATE
1	Concept Design	March 4, 2020
2	Concept Design	April 2, 2020

Plan & Elevation
Agassiz
125th Anniversary Legacy Project
Pioneer Park, Agassiz BC

2.0